



GS-KMT Load Cells



GS-KMT Model GK2137S 10t-50t Stainless Steel IP68 Canister Compression Load Cell



Load Cell shown with Bottom Cup (below the cell) and Top Cup (left) as supplied as standard.

KEY FEATURES

- Hermetically Sealed IP68 Rating.
- High Grade 17-4PH Stainless Steel.
- Laser Welded Heavy Duty Construction.
- High 200% Overload Rating.
- High Accuracy 0.03% Combined Error.
- Stainless Steel Mounts available.
- Load Cells 100% tested to guarantee specifications are met or exceeded.
- Top & Bottom Cups Supplied at no extra cost.
- International size and shape.
- Pendel self centering design.

APPLICATIONS

- All High Capacity 10t to 50t applications.
- Any rugged Indoor/Outdoor application requiring IP68 environmental sealing.
- Weighbridges & Heavy Platforms.
- Hopper, tank and Silo Weighing in Hostile Environments.

Specifications

Capacity	10t - 50t	Environmental Protection Rating	IP68
Safe Service Load	100% Capacity	Material	Stainless Steel
Safe Overload	200% Capacity	Material Grade Load Cell	17-4PH
Ultimate Load	300% Capacity	Material Grade Protective Case	304
Safe Side Load	100% Capacity	Material Grade Top&Bottom Cups	420
Off Axis Displacement Limit	± 2.5 degrees	Sealing	Laser Welded
Full Load Output	2.0mV/V ± 0.4%	Input Resistance	700Ω ± 7Ω
Combined Error	<0.03% FS	Output Resistance	700Ω ± 7Ω
Non Repeatability	<0.02% FS	Insulation Resistance	>5,000MΩ
Creep/Zero Return (30min)	<0.02% FS	Excitation (Recommended)	9VDC to 12VDC
Zero Balance	<1% FS	Excitation (Maximum)	18VDC
Span temperature effect	<20ppm/°C	Cable type ...	6.5mm OD 4 core screened.
Zero temperature effect	<20ppm/°C	Cable length	13 metres
Compensated Range	-10°C to +40°C	Cable Entry....	Sealing Gland
Operating Range	-40°C to +65°C		

Description & Ordering GK2137S

Description:- The Gedge Systems-KMT Mechtronix GK2137S Stainless Steel Canister Load Cell has been designed from the ground up to offer class leading long term performance in harsh environments.

It is part of a very large range of High Quality Load Cells brought to Australia & New Zealand by Joint Venture Partners Gedge Systems & KMT Mechtronix.

The GK21037S Canister Load Cell loaded part is ruggedly built of the finest Stainless Steel used for Load Cell Construction - type 17-4PH. It is supplied as Standard with purpose built Top and Bottom Cups each with carefully designed radius to provide the Self Centering Pendal Operation of the Load Cell. The GK2137S Laser Welded Seal Construction assures users of its IP68 Environment Protection Rating and provides a safe environment for the

long term protection of its internal construction. This is a Load Cell for now and into the Future.

Ordering:-

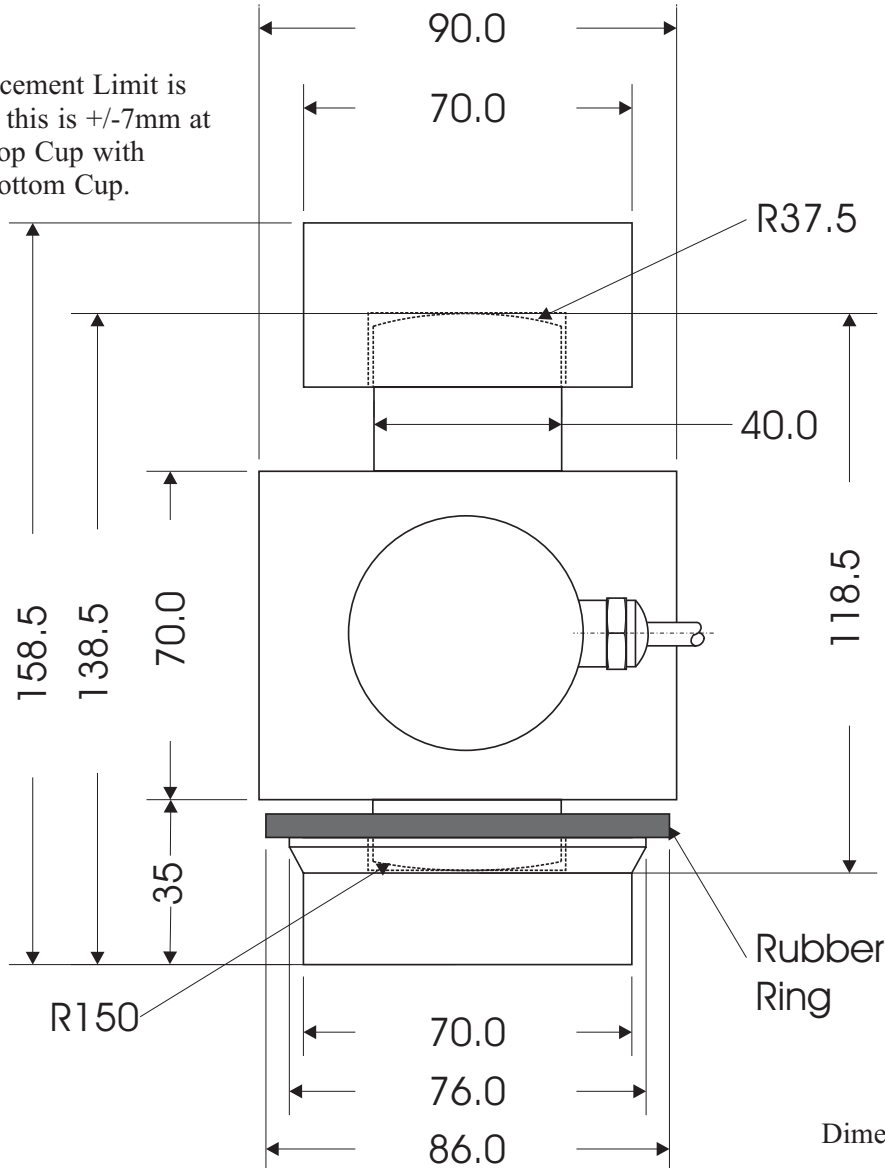
- GK2137S-10 10T Canister SS Load Cell c/w Cups**
- GK2137S-20 20T Canister SS Load Cell c/w Cups**
- GK2137S-25 25T Canister SS Load Cell c/w Cups**
- GK2137S-30 30T Canister SS Load Cell c/w Cups**
- GK2137S-40 40T Canister SS Load Cell c/w Cups**
- GK2137S-50 50T Canister SS Load Cell c/w Cups**

Accessories. Refer to the GS-KMT Accessories Brochure for full details of General Accessories including Junction Boxes and refer to the GK2137S Stainless Steel Mounts Brochure for details of Top and Bottom Plates with and without Uplift and Horizontal Constraints.

**GEDGE SYSTEMS - Since 1978 Australia's Leading Manufacturer of High Accuracy Weighing Electronics
now bringing you Superior Quality GS-KMT Load Cells**

Dimensions GK2137S

Off Axis Displacement Limit is +/-2.5 degrees - this is +/-7mm at the top of the Top Cup with respect to the Bottom Cup.



© Copyright 2008 GS Systems Pty Ltd ABN 18 737 137 544 - GS Standard 1 year Warranty - Specification subject to change without notice.